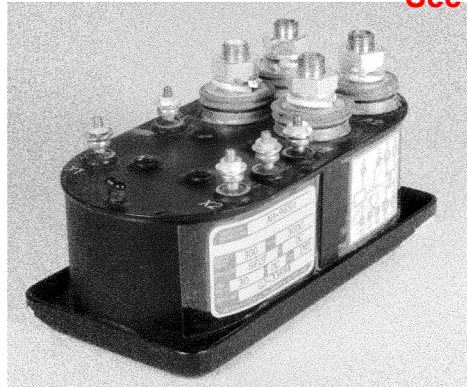


AH-965 Series, Rated up to 300 Amps, 30 Vdc

See Part Number Listing on Last Page

Product Facts

- SPDT NO, SPST NC
- Hermetically sealed
- Auxiliary contacts available
- Meets many requirements of MIL-PRF-6106



Performance Data

Electrical Characteristics

- Contact Arrangement** — SPDT, Double Break
- Rated Operating Voltage** — 30 Vdc
- Resistive Rating** — 300 Amps
- Carry Only for 30 sec** — 1,000 Amps
- Carry Only, Inrush** — 1,500 Amps
- Rupture Rating** — 3,000 Amps

General Characteristics

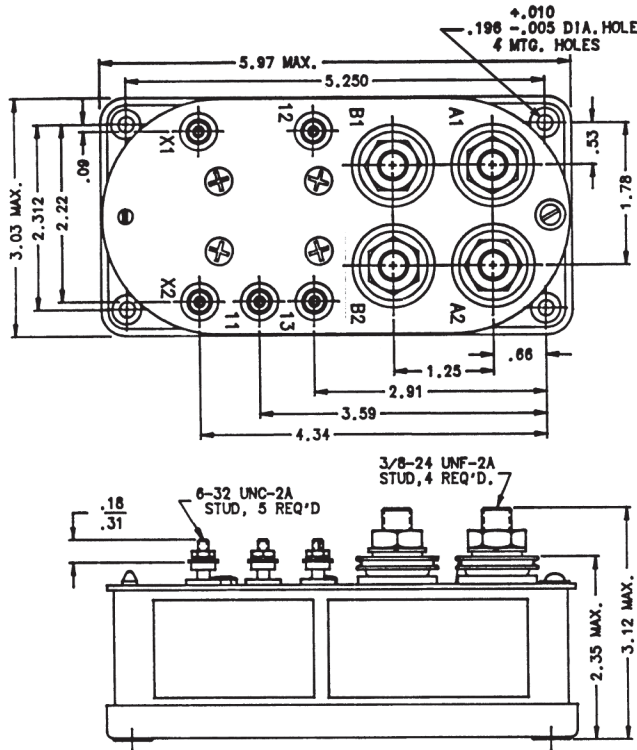
- Temperature Range** — -65°C to +120°C
- Operating Cycles (Life) at Rated Resistive Load, Min.** — 50,000 cycles
- Operating Cycles (Life) Mechanical, Min.** — 100,000 cycles
- Dielectric Strength** — All Circuits to Ground — 1,250 Vrms
Circuit to Circuit — 1,250 Vrms
Coil to Ground and Aux. Contacts — 1,000 Vrms
- Altitude, Max.** — 50,000 ft.
- Weight, Max.** — 2.88 lbs

Coil Characteristics

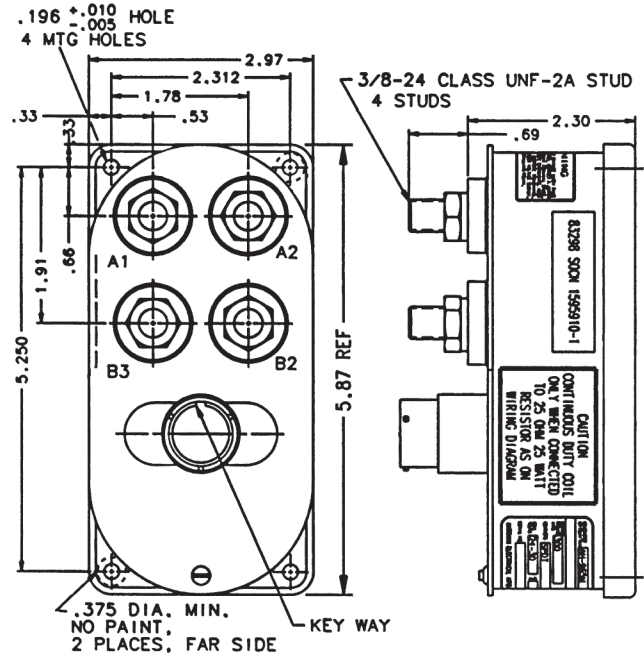
- Duty Cycle** — Intermittent, 3 minutes max.
- Operating Voltage, Max.** — 30 Vdc
- Pickup Voltage, Max. Hot** — 20 Vdc
- Dropout Voltage** — 0.5 to 5 Vdc

For factory-direct application assistance, phone 419-521-9500 or fax 419-526-2749.

AH-965 Series, Rated up to 300 Amps, 30 Vdc (Continued)

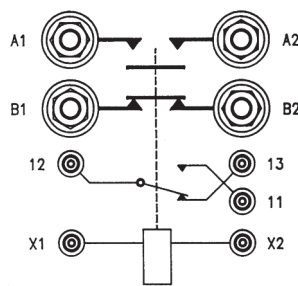


Mounting Style A

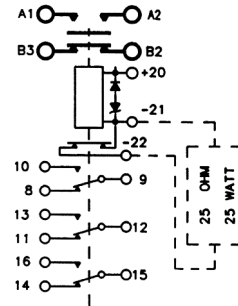


Mounting Style B

Circuit Configurations (Consult factory for other available circuit configurations)



Circuit Configuration 1



Circuit Configuration 2

HARTMAN Part Number	Construction Type	Mounting Style	Coil Type	Circuit Config.	TE Part Number
AH-965H	Hermetically Sealed	A	Intermittent	1	1616084-1
AH-965M	Hermetically Sealed	B	Continuous w/ External 25 Ohm/25 Watt Resistor Connected	2	1616084-2

For factory-direct application assistance, phone 419-521-9500 or fax 419-526-2749.